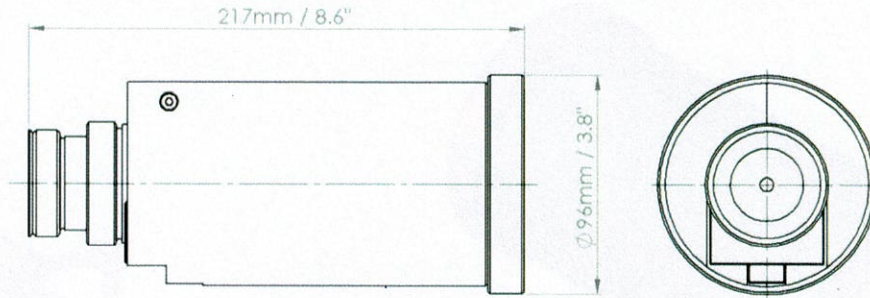
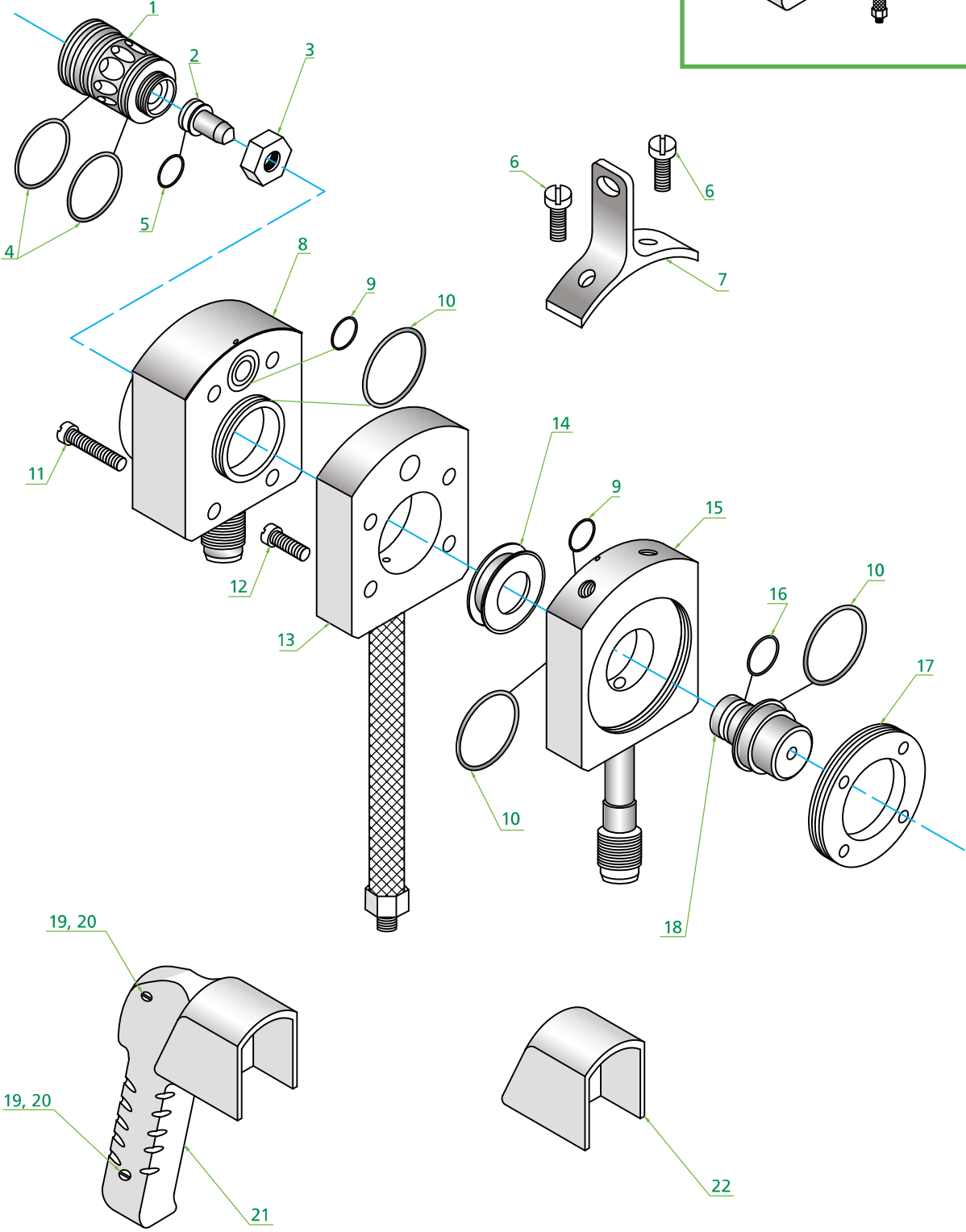
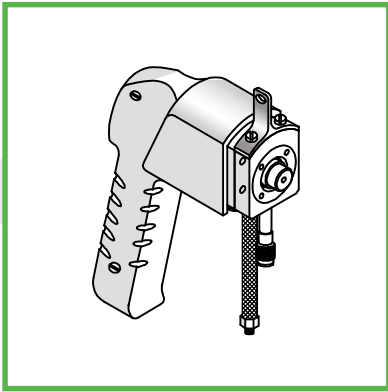


Technical Specifications

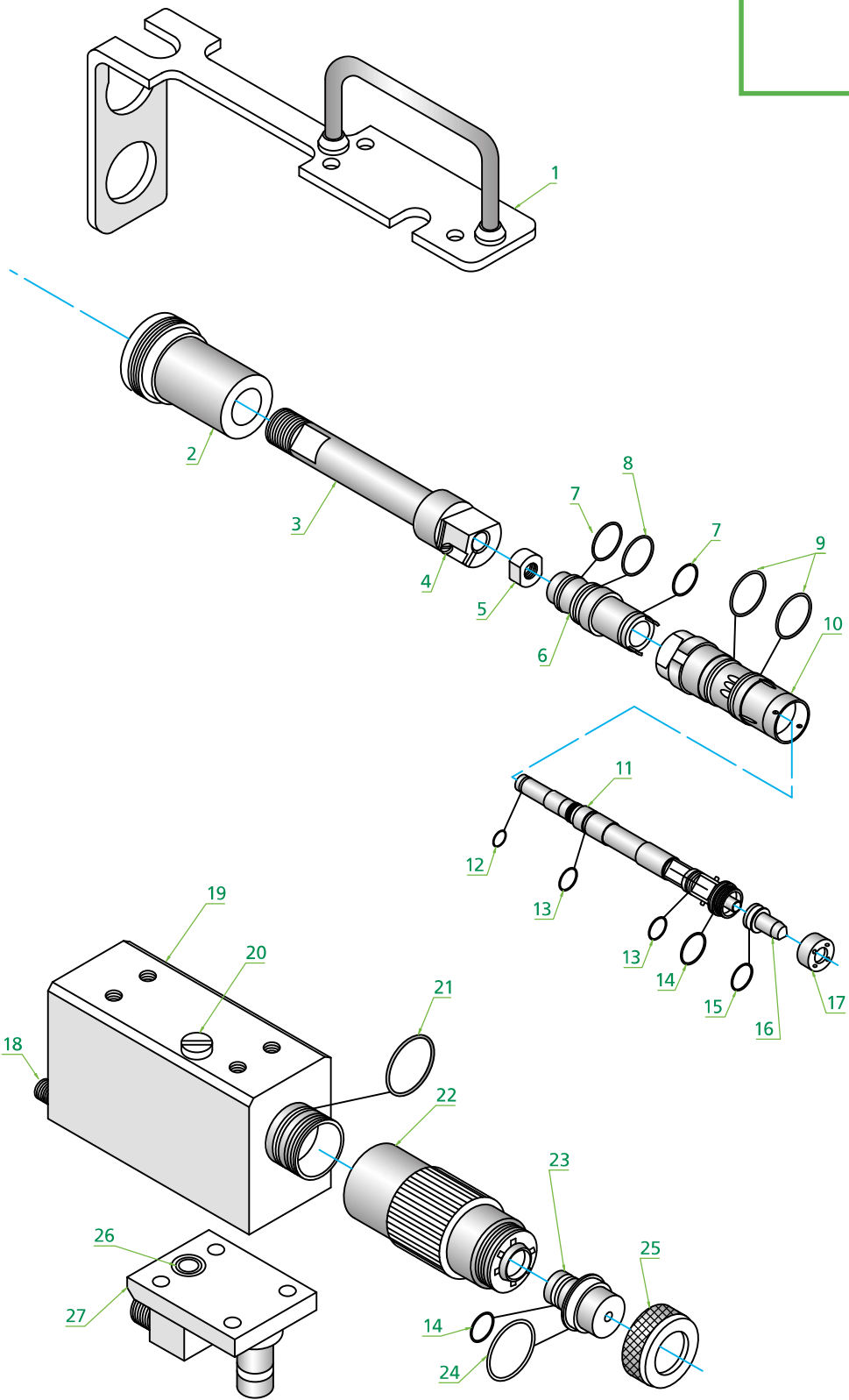
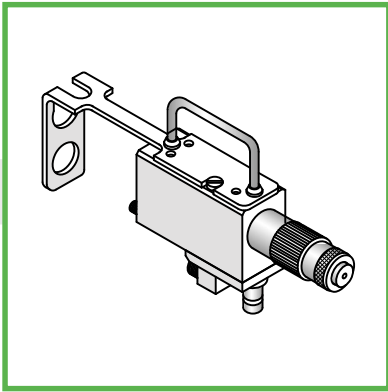


F4-MB	
Power	
Power rating	max. 45kW
Gas Quality	
Argon (Ar)	min. 99.95%
Helium (He)	min. 99.995%
Hydrogen (H2)	min. 99.995%
Nitrogen (N2)	min. 99.7%
Cooling Water Requirements	
Inlet temperature	15 to 25°C 59 to 77°F
Inlet pressure	13.5 bar 196 psi
Flow	10 to 14 l/min 2.6 to 3.7 gal/min
Water hardness	max. 0.28°D / 0.35°E / 0.5°F (0.05 mmol/l)
Conductivity	max. 5µS
Spray rate	
	40 to 80 g/min 0.09 to 0.18 lb/min
Typical efficiency	50 to 80%
Weight	
	2.75kg 6 lb
Compatibility	
Connection	Clerici Engineering AG / Oerlikon Metco Plasma Controllers
Powder feeders	Clerici Engineering AG / Oerlikon Metco Powder Feeders

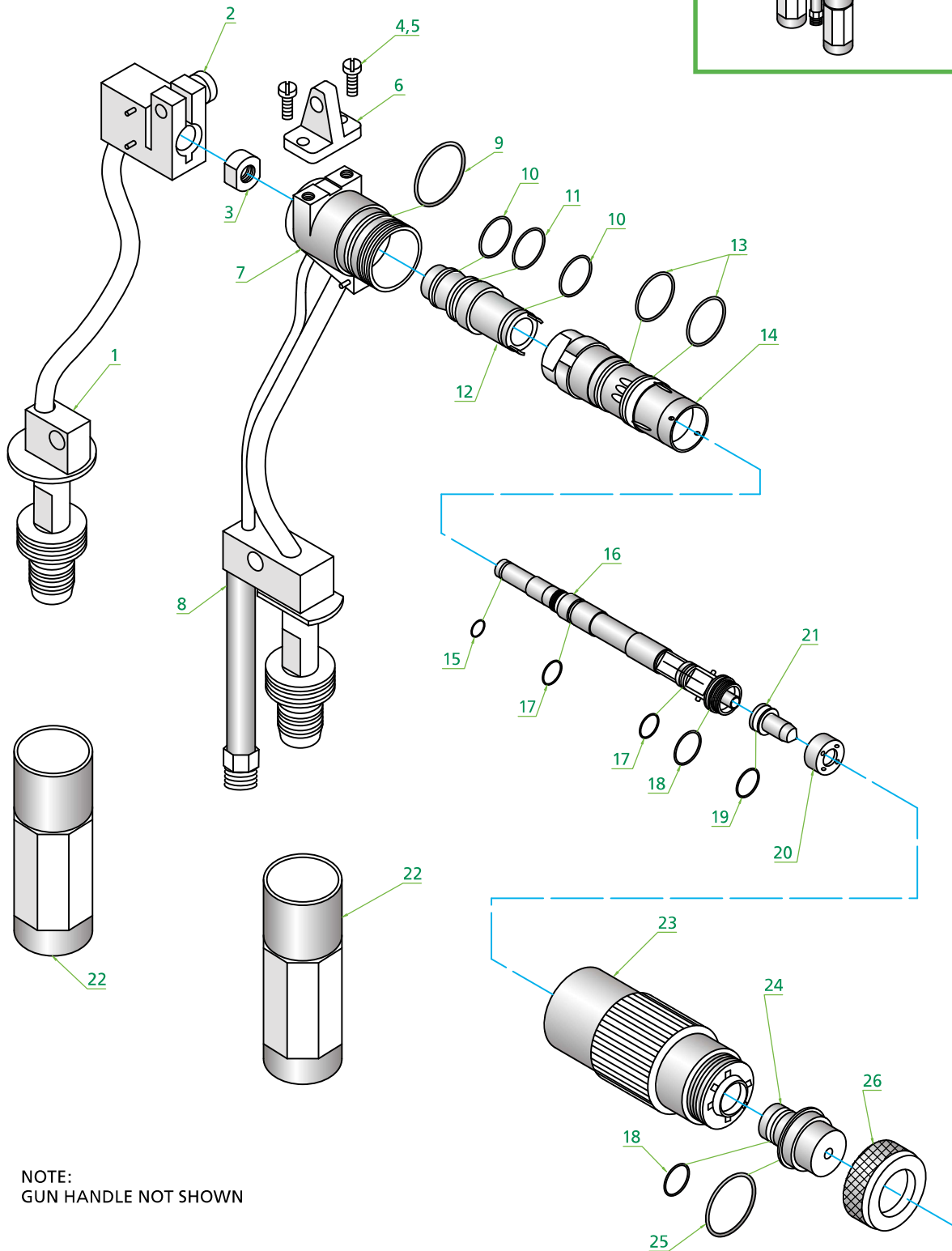
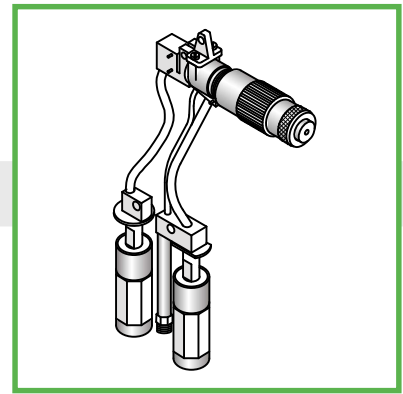
3MB Plasma Gun



9MB Plasma Gun (machine mounted)

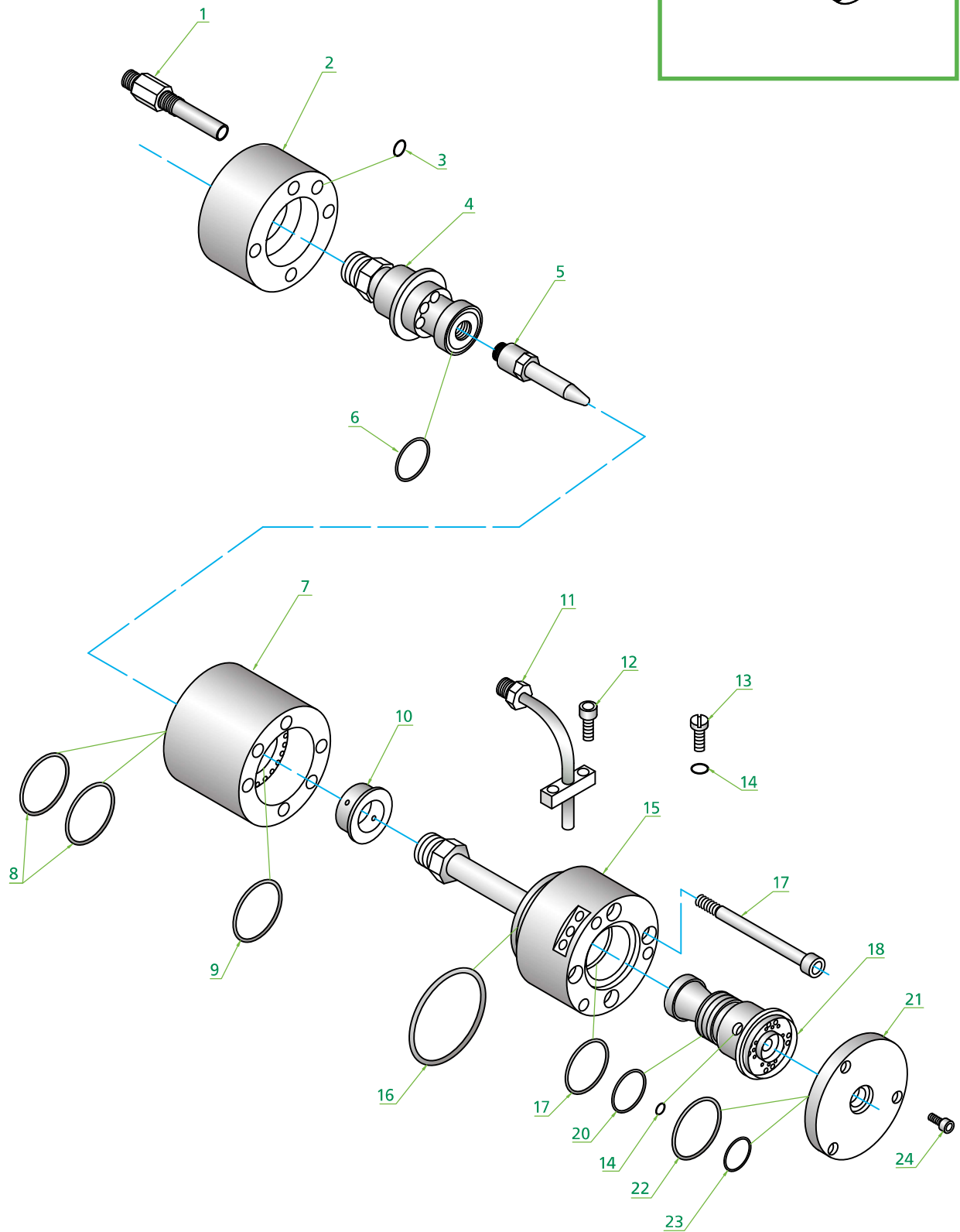
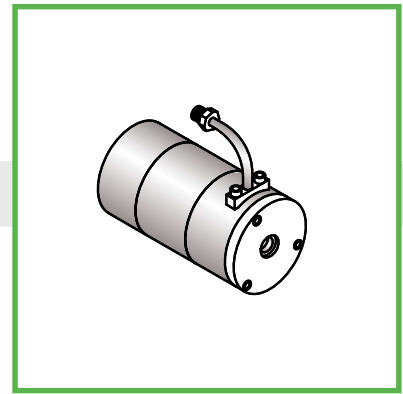


9MB Plasma Gun (hand held)



NOTE:
GUN HANDLE NOT SHOWN

SG-100 Plasma Gun



2086 SG-100 Plasma Gun Extension

